

TECHNICAL SPECIFICATION

HOUSING MATERIAL : THERMOPLASTIC POLYESTER UL 94 V-0, GREY
 HOUSING CAN WITHSTAND EXPOSURE TO LEAD FREE WAVE SOLDERING TEMPERATURE OF 260-265°C FOR STRAIGHT CONNECTORS AS IT IS IN CLASSICAL LEAD WAVE SOLDERING AT 235-250°C

CONTACT MATERIAL : COPPER ALLOY

CONTACT PLATING : GOLD OVER NICKEL

ACTIVE ZONE : GOLD OVER NICKEL

TERMINATION ZONE : TIN LEAD OVER NICKEL

TIN LEAD VERSION : TIN LEAD OVER NICKEL

LEAD FREE VERSION : TIN (PURE MATTE) OVER Ni

ELECTRICAL DATA

CURRENT RATING AT 20°C : 1.5 A

CURRENT (I MAX) : 2 A

TEMPERATURE RANGE : -55°C/ +125°C

CONTACT RESISTANCE : ≤ 20mΩ

INSULATION RESISTANCE : ≥ 10⁶ MΩ

TEST VOLTAGE (rms) : 1000V

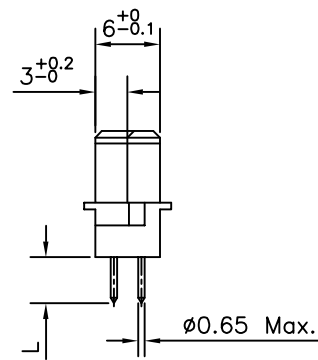
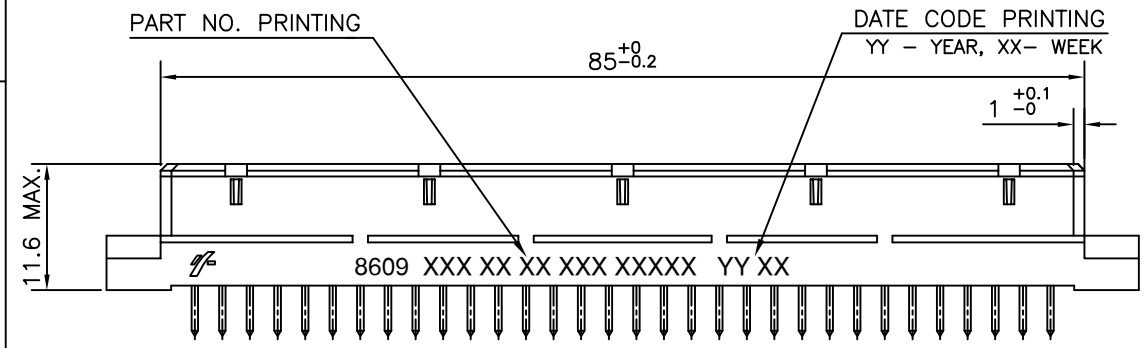
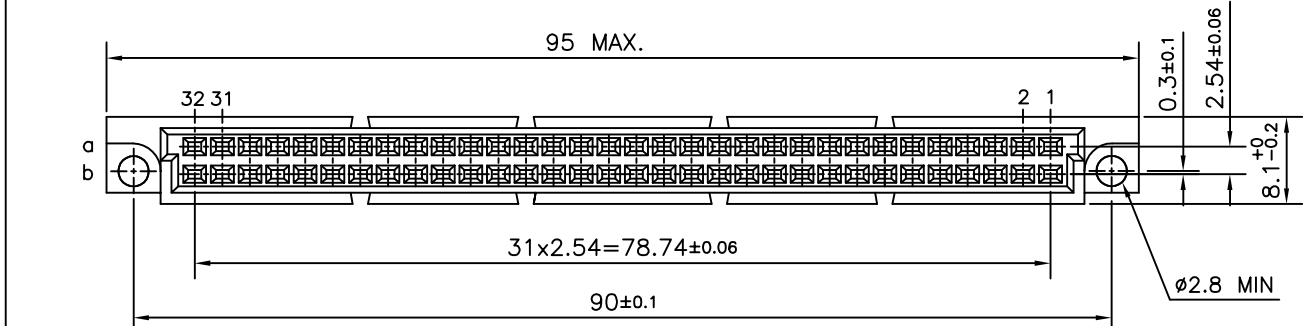
MECHANICAL DATA

INSERTION FORCE PER CONTACT : ≤ 0.94N

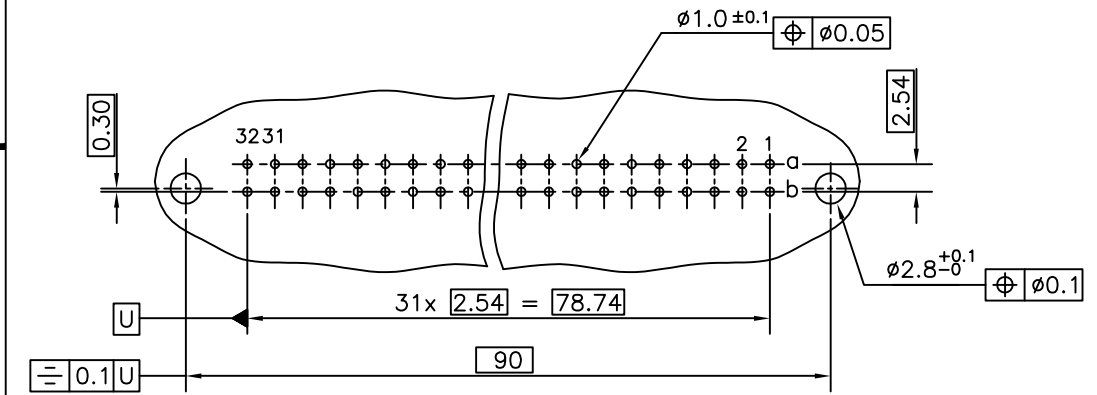
EXTRACTION FORCE PER CONTACT : ≥ 0.15N

REFERENCE SPECIFICATIONS : DIN 41612 / IEC 603-2

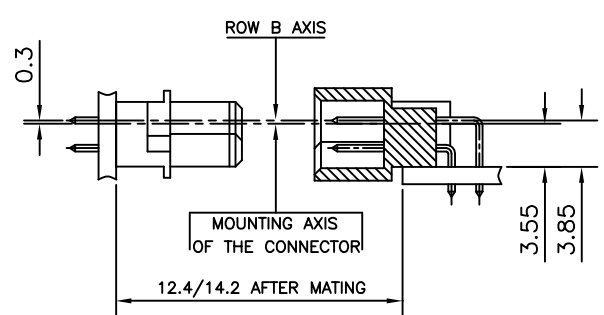
SERIES	8609	2	64	6	1	14	7	5	5	000E1
ROWS FITTED WITH CONTACTS										
Rows a b		2	64							
Rows a - -		1	32							
NUMBER OF CONTACTS										
TYPE OF INSULATOR										
2 ROW FEMALE INSULATOR				6						
METHOD OF MOUNTING										
STANDARD MOUNTING - STYLE B					1					
TERMINATION										
LONG STRAIGHT SPILL (L - SEE TABLE)						14				
SHORT STRAIGHT SPILL (L - SEE TABLE)							24			
OPTIONS										
NO OPTION								7		
PERFORMANCE CLASS										
4 - DIN 41612 CLASS 3									4	
5 - DIN 41612 CLASS 2										5
6 - DIN 41612 CLASS 1										6
8 - AS PER MIL C 55302/JSS 50808										8
PITCH PER ROW										5
2.54										
000E1										TIN LEAD VERSION
E1LF										LEAD FREE VERSION



P.C.B DRILLING DETAILS



24	2.5
14	4.0
TERM. STYLE	L +0.7/-0



mat'l. code	surface	tolerance	projection	product family
-	ISO 1302	ISO 406 ISO 1101		8609
ltr	ecn no	dr	date	title
A	I04-0100	MINI	2004-11-09	DIN STANDARD RECEPTACLE
B	I05-0042	MINI	2005-05-19	STRAIGHT SPILL DIN 41612 STYLE-B
C	I06-0062	MINI	2006-06-01	
D	I06-0187	MINI	2006-10-10	
angles linear .0±.1 scale -				title sheet 1 of 1 size C-8609-2020 A3
dr MINI K VANDANATH 2004-09-22 engr RAKHEE GEORGE 2004-09-22 chr RAKHEE GEORGE 2006-10-10 appd RAKHEE GEORGE 2006-10-10				dwg no sheet 1 of 1 size C-8609-2020 A3
sheet index	revision sheet	D		type Product Customer Drawing
		1		

NOTES:-

- THE "LF" PRODUCTS MEET EUROPEAN UNION DIRECTIVES AND OTHER COUNTRY REGULATIONS AS DESCRIBED IN GS-22-008
- THE HOUSING WILL WITHSTAND EXPOSURE TO 260°C PEAK TEMPERATURE FOR 3.5 SECONDS IN A WAVE SOLDER APPLICATION WITH A 1.6 MM MINIMUM THICK CIRCUIT BOARD
- LEAD FREE OR RoHS DIRECTIVE LABELING TO BE PROVIDED AS PER GS-14-920 FOR LEAD FREE VERSION.